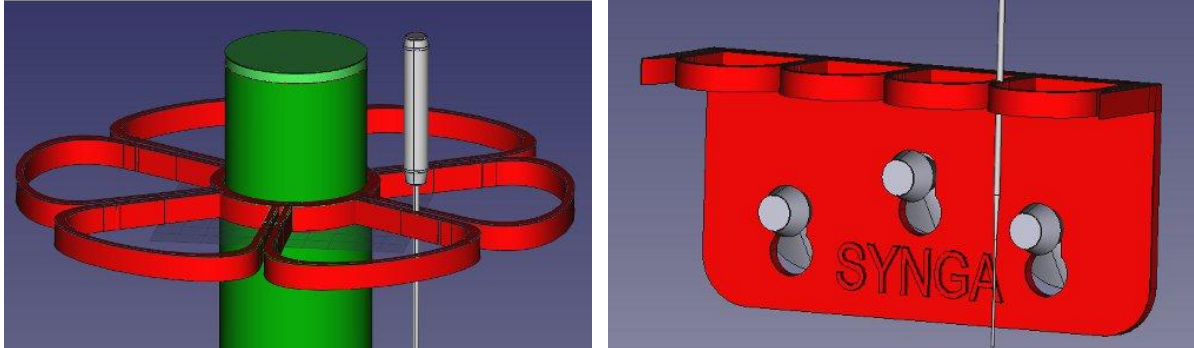


SG Clip Racks (3D Printable)



Handy accessory which helps you keep your working space clean and well organised. Synga Clip Racks can be attached to the wall of your laminar flow box or simply stand at its desk.

Made at 3D printer, they comply with latest ecology trends and can be tailor made to your specific needs at the same time.

We can make them for you on demand or you can download a piece of code for your 3d printer from our web site.

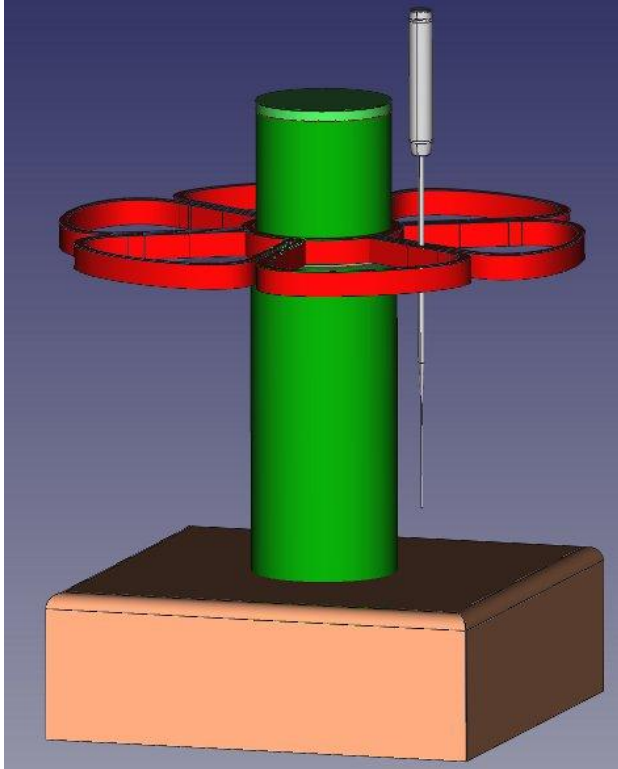
Description	Ref No.	Position
SG Rack - Daisy Clip	SG-003-D	Desk
SG Rack - V-Clip	SG-003-V	Desk
SG Wall Rack - V-Clip	SG-008-V	Wall
SG Wall Rack - Arch Clip	SG-008-A	Wall

Usual colors: red, green, white

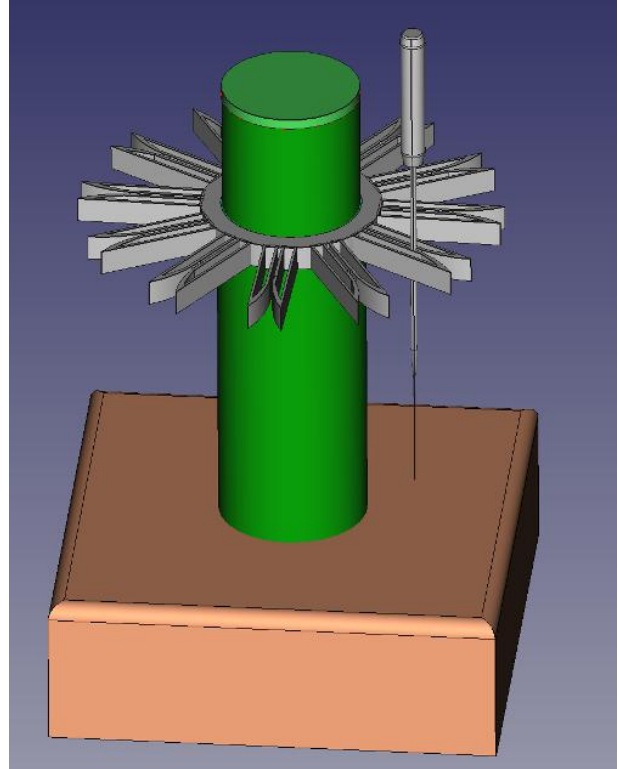
For more information visit our web page at www.synga.cz or contact us at mail@synga.cz

Gallery

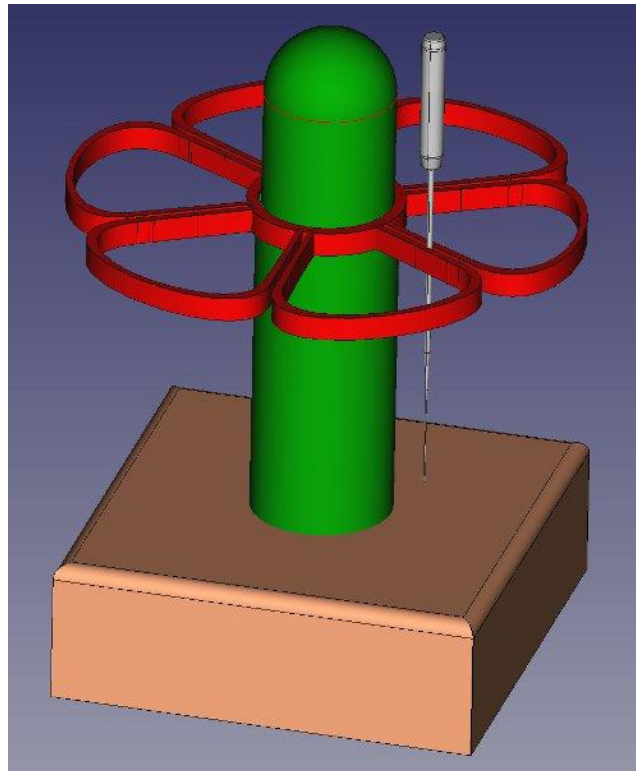
Ref No. SG-008



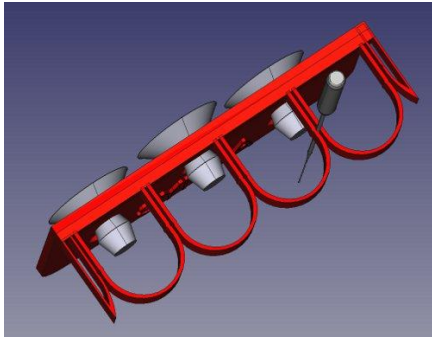
SG-008-A



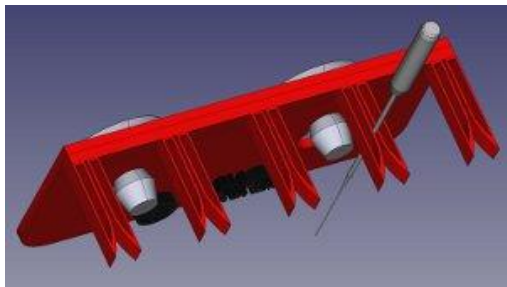
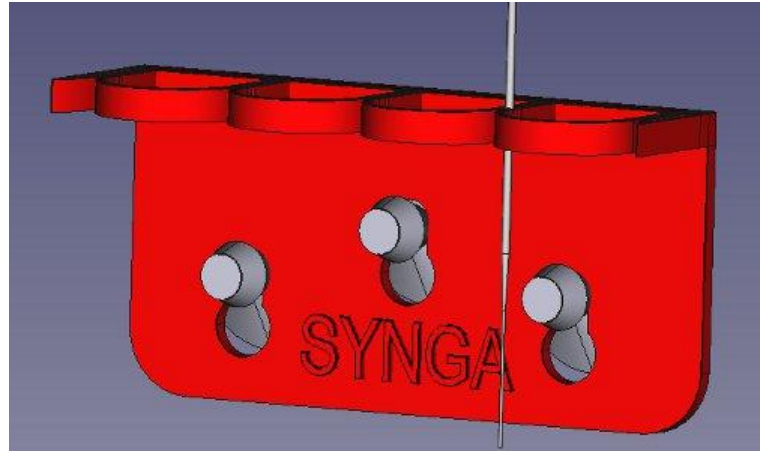
SG-008-V



Ref No. SG-003



SG-003-A



SG-003-V

